



Motor Test Report

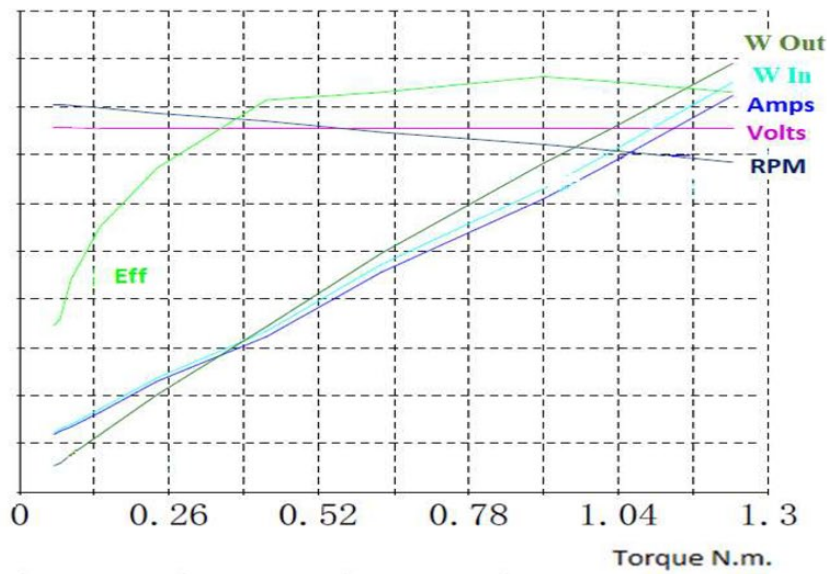
Model: MM2590FC/NV

Description: MaxMotion 0.25HP, 1750RPM, 90VDC, TEFC/NV, 56C

Tester: 01

Test Date: 2019.04.08

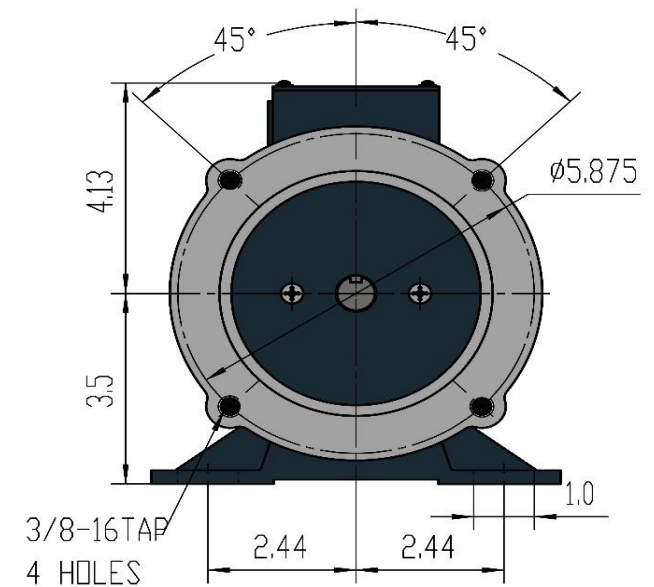
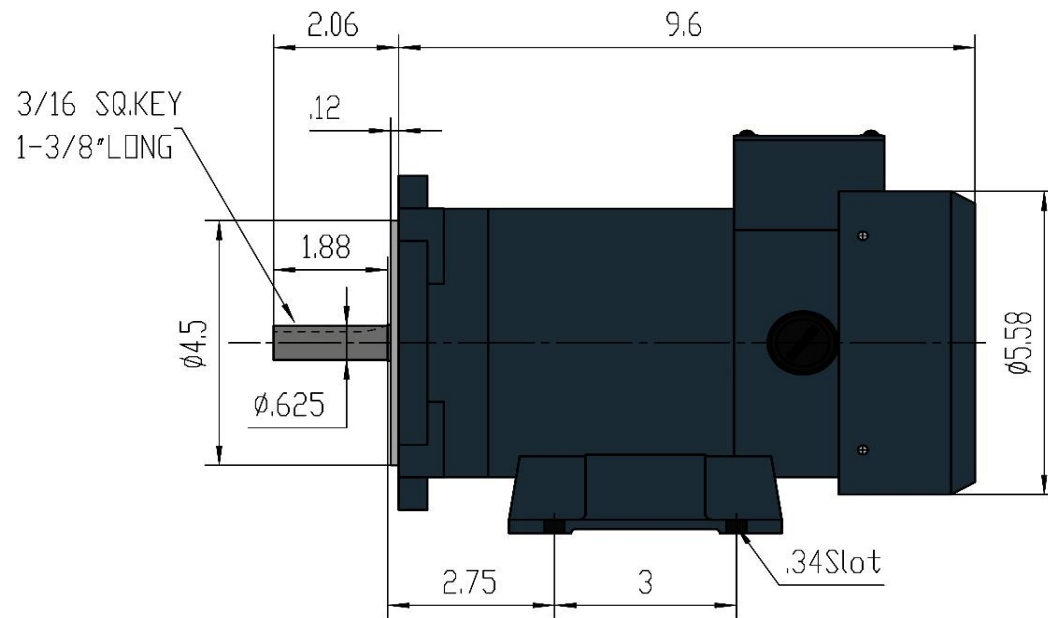
V	A	W In	RPM	W out	Eff. %
120	4	350	2500	250	90
108	3.6	315	2250	225	81
96	3.2	280	2000	200	72
84	2.8	245	1750	175	63
72	2.4	210	1500	150	54
60	2	175	1250	125	45
48	1.6	140	1000	100	36
36	1.2	105	750	75	27
24	0.8	70	500	50	18
12	0.4	35	250	25	9
0	0	0	0	0	0



Measured Points	V	A	Input Watts	N.m.	RPM	Output Watts	%
No Load	90.65	0.480	43.5	0.06	2014	13.5	31.0%
Rated	90.46	2.709	245.0	1.02	1773	187.5	76.7%
Efficiency Max.	90.47	2.432	220.0	0.91	1802	170.9	77.7%
Max. Kw Output	90.43	3.29	297.5	1.24	1712	222.3	74.7%
Max. Torq. Output	90.43	3.29	297.5	1.24	1712	222.3	74.7%
End	90.43	3.29	297.5	1.24	1712	222.3	74.7%

Load	Measurement	V	A	Input Watts	N.m.	RPM	Output Watts	Eff %
7.2%	1	90.65	0.480	43.47	0.06	2014	13.50	31.0%
7.9%	2	90.65	0.503	45.56	0.07	2012	14.75	32.4%
10.3%	3	90.65	0.537	48.66	0.09	2008	19.34	39.8%
15.8%	4	90.62	0.662	59.97	0.14	1995	29.66	49.5%
26.8%	5	90.59	0.915	82.93	0.24	1967	50.25	60.6%
45.8%	6	90.55	1.293	117.1	0.43	1925	85.86	73.3%
65.9%	7	90.52	1.827	165.4	0.63	1868	123.6	74.7%
91.1%	8	90.47	2.432	220.0	0.91	1802	170.9	77.7%
100.0%	9	90.46	2.709	245.0	1.02	1773	187.5	76.7%
118.6%	10	90.43	3.290	297.5	1.24	1712	222.3	74.7%
153.0%	11	48.07	8.756	420.9	1.64	1667	286.9	68.2%

MaxMotion



Customer is responsible in determining that MaxMotion product will fit/performance suitably in the intended application

Version: 1NIN

Revised: April 2020

HP	RPM	Voltage	Amps	Const.	Frame	Insul.	Torque	P. Code	Wgt lbs	Rated
0,25	1750	90Vdc	4,1	TEFC	56C	Class H	9 in/lbs	K (SCR)	21	IP45

MM2590FC

DC PERMANENT MAGNET MOTOR

HEAVY GAUGE ROLLED STEEL CONSTRUCTION | TENV TOTALLY NON-VENTILATED & TEFC TOTALLY ENCLOSED FAN COOLED SCR RATED, 90VDC, 180VDC

MaxMotion

Applications:

For use with SCR rated single phase DC variable speed controls used in conveyors, pumps, packaging equipment and many other applications where economical precise speed control is required.



Features:

Design - SCR Rated

Construction - Rolled Steel, NEMA C-Face Footed with Removable Base

Agency listings and standard - NEMA, UL Recognized and CSA Certified, RoHS Compliant

Service Factor - 1.0

IP Rating - IP45

Insulation - Class F Insulation

Speed Range - 20:1 Constant Torque, Linear Speed/Torque Characteristics over entire speed range

Voltage - 90V & 180V

Bearings - Permanently Lubricated High quality Double Shielded Ball Bearings

Brushes - Oversized for Extra Long Life, Easy brush access with Unique brush Holder

Enclosure Protection - (TEFC) Totally Enclosed Fan Cooled & (TENV) Totally Enclosed Non-Ventilated

Duty - Continuous

Warranty - 18 Months

DC PERMANENT MAGNET MOTOR

HEAVY GAUGE ROLLED STEEL CONSTRUCTION | TENV TOTALLY NON-VENTILATED & TEFC TOTALLY ENCLOSED FAN COOLED SCR RATED, 90VDC, 180VDC



HP	FL RPM	VOLTS	FRAME	CAT NO.	CONSTRUCTION	ENCLOSURE	NOM EFF.	F.L. AMPS	DE BEARING	NDE BEARING	WT (Lbs)	"C" Dimension (Inch)
0.25	1773	90	56C	MM2590NV	ROLLED STEEL	TENV	76.70%	2.05	6203	6203	21	8
	1773	90	56C	MM2590FC	ROLLED STEEL	TEFC	76.70%	2.05	6203	6203	21	9.6
	1717	180	56C	MM2518NV	ROLLED STEEL	TENV	71.90%	2.55	6203	6203	21	8
	1717	180	56C	MM2518FC	ROLLED STEEL	TEFC	71.90%	2.55	6203	6203	21	9.6
0.33	1691	90	56C	MM3390NV	ROLLED STEEL	TENV	77.70%	5.1	6203	6203	23	8
	1691	90	56C	MM3390FC	ROLLED STEEL	TEFC	77.70%	5.1	6203	6203	23	9.6
	1687	180	56C	MM3318NV	ROLLED STEEL	TENV	69.90%	2.55	6203	6203	23	8
	1687	180	56C	MM3318FC	ROLLED STEEL	TEFC	69.90%	2.55	6203	6203	23	9.6
0.5	1702	90	56C	MM5090NV	ROLLED STEEL	TENV	81.90%	6.28	6203	6203	25	8.88
	1702	90	56C	MM5090FC	ROLLED STEEL	TEFC	81.90%	6.28	6203	6203	25	10.4
	1752	180	56C	MM5018NV	ROLLED STEEL	TENV	81.40%	3.14	6203	6203	25	8.88
	1752	180	56C	MM5018FC	ROLLED STEEL	TEFC	81.40%	3.14	6203	6203	25	10.4
0.75	1651	90	56C	MM7590FC	ROLLED STEEL	TEFC	83.90%	9.82	6203	6203	30	11.45
	1675	180	56C	MM7518FC	ROLLED STEEL	TEFC	84.00%	4.9	6203	6203	30	11.45
1	1739	90	56C	MM1090FC	ROLLED STEEL	TEFC	84.00%	12.7	6203	6203	33	12.24
	1739	180	56C	MM1018FC	ROLLED STEEL	TEFC	84.70%	6.4	6203	6203	33	12.24
1.5	1793	180	56C	MM1518FC-56C	ROLLED STEEL	TEFC	83.30%	7.86	6203	6203	45	14.39
	1793	180	145TC	MM1518FC	ROLLED STEEL	TEFC	83.30%	7.86	6305	6305	45	13.8
2	1751	180	56C	MM2018FC-56C	ROLLED STEEL	TEFC	82.80%	10.4	6305	6305	55	14.75
	1751	180	145TC	MM2018FC	ROLLED STEEL	TEFC	82.80%	10.77	6305	6305	55	14.8
3	1814	180	145TC	MM3018FC	ROLLED STEEL	TEFC	82.50%	18.6	6305	6305	70	16.9

